

# JM-STRAINER-02

YTS-10-NB-GM-ASA-150



## BRONZE 'Y' TYPE STRAINER

Bolted Cover  
DN15 – DN300 (1/2" – 12")

John Mills Valves was founded in 1828 and since then has been engaged in the manufacture and supply of valves for the Offshore and Marine markets. We offer a wide range of gate, globe, check and ball valves in bronze and aluminium bronze.

On site at Newcastle we have our own pattern shop, foundry, machine shop, assembly and testing facilities, so we can respond quickly and competitively to customers' needs. Our ISO 9001 Quality Assurance system ensures full traceability and control of quality from quotation through to final despatch.



### Description

Bronze "Y" Strainer, Bolted Cover, Non Asbestos Joint, Stainless Steel or Monel Element.

Flanged & Drilled ASA 150, Raised or Flat Faced, Flanges to ANSI B 16.5.

Alternative screen material available.

### Maximum Working Pressure

(Subject to end connection)

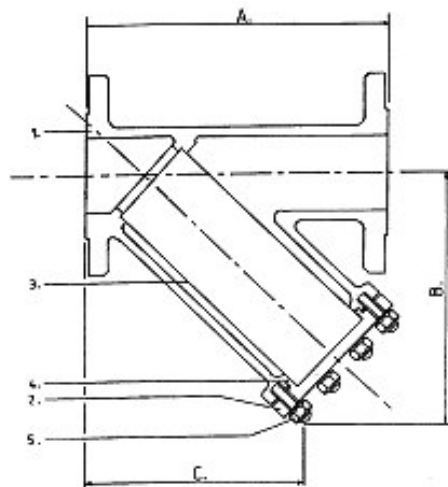
Class 150

### Materials

- |   |                   |                               |
|---|-------------------|-------------------------------|
| 1 | Body              | Gunmetal BS 1400 LG2 ASTM B62 |
| 2 | Cover             | Gunmetal BS 1400 LG2 ASTM B62 |
| 3 | Element           | Stainless Steel or Monel 400  |
| 4 | Joint             | Non Asbestos BS7531 Grade Y   |
| 5 | Fasteners - Studs | ASTM B193 B7 *                |
|   | Cover - Nuts      | ASTM A194 2H *                |

\* Zinc Plated

Alternative Screen Material Available.  
Steel Fasteners Alt Zinc or PTFE Coated



### Specifications

Nom Bore	1/2"	3/4"	1"	1 1/4"/1 1/2"	2"	2 1/2"	3"	4"	5"	6"	8"
	15mm	20mm	25mm	32/40mm	50mm	65mm	80mm	100mm	125mm	150mm	200mm
A Dim (mm)	127	165	185	220	230	270	335	358	458	490	595
B Dim (mm)	105	115	138	174	235	265	310	310	310	395	450
C Dim (mm)	115	125	140	130	185	208	260	210	210	300	360

Nom Bore	10"	12"
	250mm	300mm
A Dim (mm)	740	900
B Dim (mm)	545	655
C Dim (mm)	450	535

Unless otherwise requested by customer or valve specification, all valves manufactured by John Mills Valves will be fully tested to AP1598.

The information on this data sheet is accurate to the best of John Mills Valves knowledge, however we reserve the right to alter the product specification at any time. For any specific updated detail, please contact us.

John Mills Valves, 509 Shields Road, Walkergate, Newcastle Upon Tyne, NE6 4PX

Tel: +44 (0) 191 265 6550

Fax: +44 (0) 191 265 1002

E-mail: sales@johnmills-valves.com Website: www.johnmills-valves.com

Revision No: 1

17.04.07