

# JM-GLOBE-04

GL10-GM-150



## BRONZE GLOBE VALVE

Bolted Cover Outside Screw  
DN15 – DN300 (1/2" - 12")

John Mills Valves was founded in 1828 and since then has been engaged in the manufacture and supply of valves for the Offshore and Marine markets. We offer a wide range of gate, globe, check and ball valves in bronze and aluminium bronze.

On site at Newcastle we have our own pattern shop, foundry, machine shop, assembly and testing facilities, so we can respond quickly and competitively to customers' needs. Our ISO 9001 Quality Assurance system ensures full traceability and control of quality from quotation through to final despatch.

### Description

Bronze Globe Valve, Bolted Cover Outside Screw, Rising Stem, Metal to Metal Seating, Non Asbestos Joint & Packings, BS 5414 Design, Flanged & Drilled ANSI 150, Face to Face B16.10.

Options: Screw Lift or S>D>N>R, Soft Seated Disc, Open / Shut Indication, Locking Device "Crook" Type Locking Bar.

### Maximum Working Pressure

(Subject to end connection)

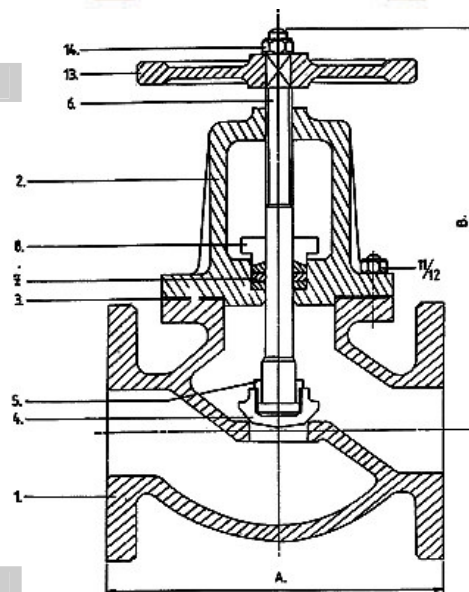
Class 150

### Materials

1	Body	Gunmetal BS 1400 LG2 C / ASTM B62
2	Cover	Gunmetal BS 1400 LG2 C / ASTM B62
3	Joint	BS 7531 Grade Y
4	Disc	BS 1400 LG2 C / ASTM B62
5	Disc Stem Nut	Aluminium Bronze
6	Stem	Aluminium Bronze
7	Packing	Non Asbestos
8	Gland	BS 1400 LG2 C / ASTM B62
9	Gland Studs	Steel* ASTM 193 B7
10	Gland Nuts	Steel* ASTM 194 2H
11	Cover Studs	Steel* ASTM 193 B7
12	Cover Nuts	Steel* ASTM 194 2H
13	Handwheel	Cast Iron**
14	Handwheel Nut	Steel* ASTM 194 2H

\* Zinc Plated

\*\* 10" and above gearbox operated



### Specifications

Nom Bore	1/2"	3/4"	1"	1 1/4"	1 1/2"	2"	2 1/2"	3"	4"	5"	6"	8"	10"	12"
	15mm	20mm	25mm	32mm	40mm	50mm	65mm	80mm	100mm	125mm	150mm	200mm	250mm	300mm
A Dim (mm)	108	117	127	140	165	203	216	241	292	356	406	495	622	698
B Dim (mm)	155	155	155	175	190	225	240	265	310	340	380	430	530	600

Unless otherwise requested by customer or valve specification, all valves manufactured by John Mills Valves will be fully tested to AP1598.

The information on this data sheet is accurate to the best of John Mills Valves knowledge, however we reserve the right to alter the product specification at any time. For any specific updated detail, please contact us.

John Mills Valves, 509 Shields Road, Walkergate, Newcastle Upon Tyne, NE6 4PX

Tel: +44 (0) 191 265 6550

Fax: +44 (0) 191 265 1002

E-mail: sales@johnmills-valves.com Website: www.johnmills-valves.com

Revision No: 1

17.04.07