

# JM-GATE-01-F.FACE

GA10-BCOS-GM-150



## BRONZE GATE VALVE

Bolted Cover Outside Screw, Flanged  
DN15 – DN350 (1/2" - 14")

John Mills Valves was founded in 1828 and since then has been engaged in the manufacture and supply of valves for the Offshore and Marine markets. We offer a wide range of gate, globe, check and ball valves in bronze and aluminium bronze.

On site at Newcastle we have our own pattern shop, foundry, machine shop, assembly and testing facilities, so we can respond quickly and competitively to customers' needs. Our ISO 9001 Quality Assurance system ensures full traceability and control of quality from quotation through to final despatch.

### Description

Bronze Gate Valve, Bolted Cover Outside Screw, Rising Stem, Solid Wedge, Non Asbestos Joint & Packings.

Flanged & Drilled ASA 150, Raised or Flat Faced, Flanges to ANSI B 16.5, Face to Face ANSI B 16.10.

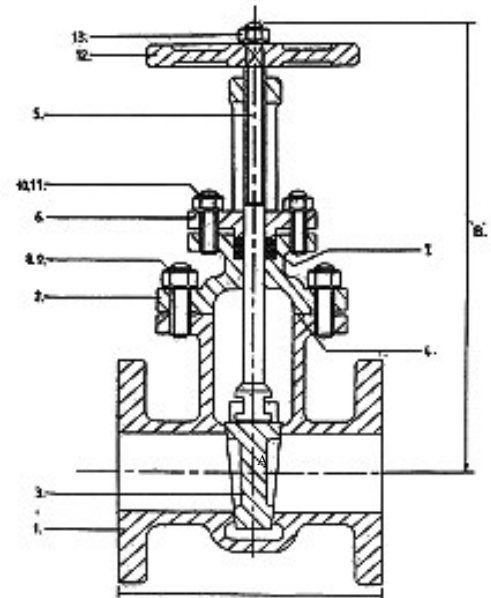
Options: Open / Shut Indication, "Locking" Device. Alternative trim available: - Stainless Steel, Monel, Fasteners available in alternative materials or plating

### Maximum Working Pressure

(Subject to end connection)  
Class 150

### Materials

1	Body	Gunmetal BS 1400 LG2 / ASTM B62
2	Cover	Gunmetal BS 1400 LG2 / ASTM B62
3	Wedge	Gunmetal BS 1400 LG2 / ASTM B62
4	Joint	Non Asbestos BS7531 Grade Y
5	Stem	Aluminium Bronze
6	Gland	Gunmetal BS 1400 LG2 / ASTM B62
7	Packing	PTFE or Non Asbestos
8	Cover Nuts	Steel ASTM 194 2H
9	Cover Studs	Steel ASTM 193 B7
10	Gland Nuts	Steel ASTM 194 2H
11	Gland Studs	Steel ASTM 193 B7
12	Handwheel	Cast Iron
13	Handwheel Nut	Steel ASTM A194 2H



### Specifications

Nom Bore	1/2"	3/4"	1"	1 1/4"	1 1/2"	2"	2 1/2"	3"	4"	5"	6"	8"	10"
	15mm	20mm	25mm	32mm	40mm	50mm	65mm	80mm	100mm	125mm	150mm	200mm	250mm
A Dim (mm)	108	117	127	140	165	178	190	203	229	254	267	292	330
B Dim (mm)	155	155	220	220	330	330	415	435	520	630	715	950	1180

Nom Bore	12"	14"
	300mm	350mm
A Dim (mm)	356	381
B Dim (mm)	1250	1495

Unless otherwise requested by customer or valve specification, all valves manufactured by John Mills Valves will be fully tested to AP1598.

The information on this data sheet is accurate to the best of John Mills Valves knowledge, however we reserve the right to alter the product specification at any time. For any specific updated detail, please contact us.

John Mills Valves, 509 Shields Road, Walkergate, Newcastle Upon Tyne, NE6 4PX

Tel: +44 (0) 191 265 6550

Fax: +44 (0) 191 265 1002

E-mail: sales@johnmills-valves.com Website: www.johnmills-valves.com

Revision No: 1  
17.04.07