

# JM-CHECK-05

CK20-S/C-AB-JMS



## ALUMINIUM BRONZE SWING CHECK

Screw Cover, Flanged & Drilled  
DN20 – DN50 (3/4" – 2")

John Mills Valves was founded in 1828 and since then has been engaged in the manufacture and supply of valves for the Offshore and Marine markets. We offer a wide range of gate, globe, check and ball valves in bronze and aluminium bronze.

On site at Newcastle we have our own pattern shop, foundry, machine shop, assembly and testing facilities, so we can respond quickly and competitively to customers' needs. Our ISO 9001 Quality Assurance system ensures full traceability and control of quality from quotation through to final despatch.



### Description

Aluminium Bronze ASTM B 148 C95800 BS 1400 AB2, Swing Check Valve, Screw Cover, Metal-to-Metal Seating, Class 150 or PN32, Design BS 5154, Ends Female NPT.

Options: Valve to have Monel Trim, Disc, Hinge Pin

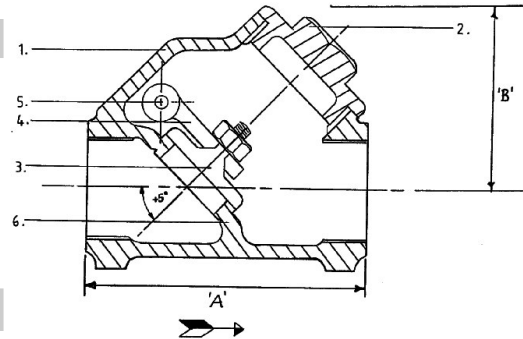
### Maximum Working Pressure

(Subject to end connection)

Class 150  
PN32

### Materials

- |   |           |   |
|---|-----------|---|
| 1 | Body      | Aluminium Bronze ASTM B148 C95800 / BS 1400 AB2 |
| 2 | Cover     | Aluminium Bronze ASTM B148 C95800 / BS 1400 AB2 |
| 3 | Disc      | Aluminium Bronze ASTM B148 C95800 / BS 1400 AB2 |
| 4 | Hinge     | Aluminium Bronze BS2874 CA104 ASTM B150         |
| 5 | Hinge Nut | Aluminium Bronze BS2874 CA104 ASTM B150         |
| 6 | Seat      | Integral or see notes                           |
| 7 | Hinge Pin | Aluminium Bronze BS2874 CA104 ASTM B150         |



### Specifications

Nom Bore	3/4"	1"	1 1/4"	1 1/2"	2"
	20mm	25mm	32mm	40mm	50mm
A Dim (mm)	98	98	134	134	175
B Dim (mm)	74	74	85	85	115

Unless otherwise requested by customer or valve specification, all valves manufactured by John Mills Valves will be fully tested to AP1598.

The information on this data sheet is accurate to the best of John Mills Valves knowledge, however we reserve the right to alter the product specification at any time. For any specific updated detail, please contact us.

John Mills Valves, 509 Shields Road, Walkergate, Newcastle Upon Tyne, NE6 4PX

Tel: +44 (0) 191 265 6550

Fax: +44 (0) 191 265 1002

E-mail: sales@johnmills-valves.com Website: www.johnmills-valves.com

Revision No: 1

17.04.07